

VISIONSCAPE® GIG E



Integrated GigE Vision Solution

From an economical single camera system to a sophisticated eight camera application, Microscan's Visionscape GigE Solution contains all necessary components for a complete, successful machine vision implementation.

PC-based Gigabit Ethernet systems leverage standard network components such as cabling, switches and interface cards. Visionscape GigE supports a complete set of Microscan machine vision GigE cameras which, in combination with Visionscape software, allows for rapid deployment of any scale of machine vision solution.

Visionscape GigE: At a Glance

- High speed, high resolution image processing
- Provides full capabilities of powerful Visionscape software
- System implementation uses standard network components
- Support up to eight Visionscape GigE cameras
- GigE cameras available in multiple configurations:

VGA MONO CMOS (Color Optional)

VGA MONO CCD (Color Optional)

VGA MONO CCD POE (Power Over Ethernet)

XGA MONO CCD

SXGA MONO CCD

UXGA MONO CCD

QSXGA MONO CCD

For more information on this product, visit www.microscan.com.

Visionscape GigE: Capabilities

- | | | |
|-----------------|---|---|
| Linear Barcodes |  | <ul style="list-style-type: none"> • Image processing • Image analysis & feature extraction |
| 2D Symbols |  | <ul style="list-style-type: none"> • Flaw detection • Object location |
| OCR/OCV | ABC123 | <ul style="list-style-type: none"> • Dimensional measurements • Custom processing options |

Gigabyte Ethernet (GigE)

Gigabit Ethernet allows for high speed data transfers at one gigabit per second. With the Visionscape GigE solution, this system can be easily deployed using standard low-cost network components, long cable lengths and no frame grabber boards.

Flexible Configuration

The Visionscape GigE camera features C-mount optics, built-in strobe and trigger connections and optional Power over Ethernet (PoE). A wide variety of sensor resolutions are available, ranging from VGA to QSXGA (5 MP), with CMOS, CCD and color options.

Compact and Lightweight

The Visionscape GigE camera weighs just 4 oz. and its small form factor allows for flexible positioning in tight spaces or mounting in robotic applications.

User Interfaces

Visionscape FrontRunner engineering user interface enables quick and easy creation of complex vision applications. The AppRunner runtime interface provides complete system status, application monitoring and results.

Application Examples

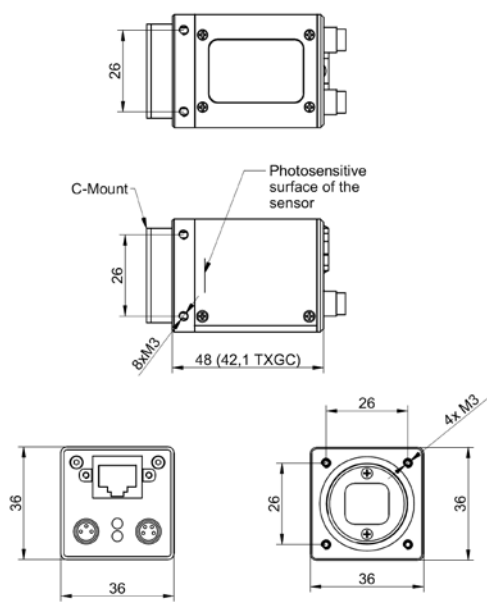
- Assembly verification (automotive, medical devices, packaging)
- Print quality inspection (pharmaceutical, other)
- Package quality inspection (food and beverage)
- Component presence/absence checking (electronics)
- Part location (robotics, machine builder)
- Part identification (automotive, electronics, packaging)

Specifications for Visionscape GigE Software

MINIMUM PC REQUIREMENTS:

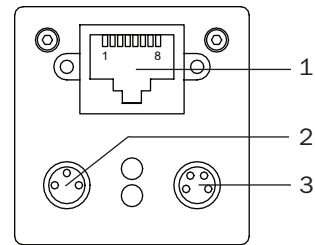
- Pentium P4 class PC (2.4 GHz or higher)
- Windows XP (SP2 or later), Windows Vista
- 1 GB minimum RAM
- XGA display (True Color or 64K)
- One open PCIe slot (for Network Interface Card)

Specifications for Visionscape GigE Camera



CONNECTORS

No.	Function
1	RJ45 Gigabit Ethernet
2	M8-3 Power
3	M8-4 Trigger & Strobe



CONFIGURATIONS

Visionscape GigE Camera Model	Resolution	Sensor Size	FPS
VGA Mono CMOS	752 x 480	1/3"	60
VGA Color CMOS	748 x 476	1/3"	60
VGA Mono CCD	656 x 494	1/3"	90
VGA Color CCD	656 x 490	1/3"	90
VGA Mono CCD – 1/2" Sensor	656 x 494	1/2"	57
XGA Mono CCD	1032 x 776	1/3"	28
SXGA Mono CCD	1392 x 1040	2/3"	20
UXGA Mono CCD	1624 x 1236	1/1.8"	16
QSXGA Mono CCD	2448 x 2050	2/3"	15
VGA Mono CCD POE	656 x 494	1/3"	90

MECHANICAL

- Height:** 1.42" (36 mm)
- Width:** 1.42" (36 mm)
- Depth:** 1.66" (42.1 mm)
- Weight:** 4.0 oz. (115 g) with tripod mount

COMMUNICATION PROTOCOLS

Interfaces: Gigabit Ethernet

LIGHT COLLECTION

Progressive scan, full frame and partial frame

ELECTRICAL

- Power:** 8 VDC at 370 mA to 30 VDC at 120 mA
- Power Consumption:** 3.5 W

ENVIRONMENTAL

- Operating Temperature:** 5° to 50°C (41° to 122°F)
- Storage Temperature:** -10° to 70°C (-14° to 158°F)
- Storage:** Up to 90% (non-condensing)

SYMBOLGY TYPES

- 2D Symbologies:** Data Matrix, PDF417, QR Code
- Linear Barcodes:** Code 39, Code 93, Code 128, UPC/EAN, UPC-E, UPC Supplementals, I2 of 5, BC412, Codabar, Postnet, Pharmacoce, GS1 Databar and Composite

SAFETY CERTIFICATIONS

FCC, CE

ROHS/WEEE COMPLIANT

ISO CERTIFICATION

Issued by Det Norske Veritas
Cert No. 8446-2007-AQ-USA-ANAB

©2009 Microscan Systems, Inc. SP062A 06/09

Performance data is determined using high quality Grade A symbols per ISO/IEC 15415 and ISO/IEC 15416 in a 25°C environment. For application-specific results, testing should be performed with symbols used in the actual application. Microscan Applications Engineering is available to assist with evaluations. Results may vary depending on symbol quality. **Warranty**—One year limited warranty on parts and labor. Extended warranty available.

MICROSCAN®

Microscan Systems, Inc.
Tel 603 598 8400 / 800 468 9503
Fax 603 577 5947

Microscan Europe
Tel 31 172 423360 / Fax 31 172 423366

Microscan Asia Pacific
Tel 65 6846 1214 / Fax 65 6846 4641

www.microscan.com

- Product Information:** info@microscan.com
- Auto ID Support:** helpdesk@microscan.com
- Vision Support:** visionsupport@microscan.com
- NERLITE Support:** nerlitesupport@microscan.com