

MOBILE HAWK



Highest Performance Handheld DPM Imager

The Mobile Hawk is the world's highest performance handheld imager and easily reads any barcode or 2D symbol, including challenging direct part marks (DPM). Using advanced technology, the Mobile Hawk combines patent-pending MAXlite illumination with aggressive X-Mode DPM algorithms. The result is the easiest plug and play mobile imager for all code types on all materials.

The Mobile Hawk is ideal for any low contrast DPM application where reliability and ease of use are important.

Mobile Hawk: At a Glance

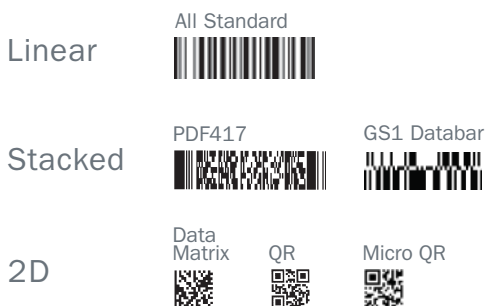
- Decodes/second: up to 10
- Read Range: contact to 2" (51 mm)
- USB, RS-232 Interface Options
- Low 5V Power Draw



ESP® Easy Setup Program: Single-point software provides quick and easy setup and configuration of all Microscan readers.

For more information on this product, visit www.microscan.com.

Mobile Hawk: Available Codes



Decode Any Symbol

Using advanced X-Mode decode algorithms, the Mobile Hawk consistently captures low contrast, damaged, or otherwise challenging direct part marks. Both linear and 2D symbols are read in any orientation.

Easy to Use

Mobile Hawk imagers feature simple point-and-click targeting, with audible, vibrator, and multipurpose visual user systems to provide real-time feedback. Easy connectivity and portability are ensured with direct, single cable USB power draw.

Rugged Design

Featuring a ruggedized design with a permanent lanyard hook, the Mobile Hawk includes a secured cable and durable overmolded housing capable of withstanding multiple 6' drops to concrete.

MAXlite Technology

The Mobile Hawk includes MAXlite (Multi-Axis Lighting) technology for even illumination of flat, shiny surfaces, enhancing embossed features, or differentiating features on curved surfaces. The wide range of capabilities ensures reliable reading of the toughest direct part marks.

High Processing Speed

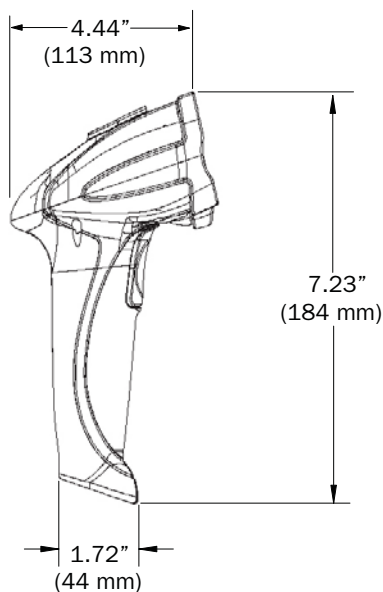
Fast processing speed allows the imager to acquire and decode multiple symbologies within seconds of each other, without any adjustment to the imager.

Application Examples

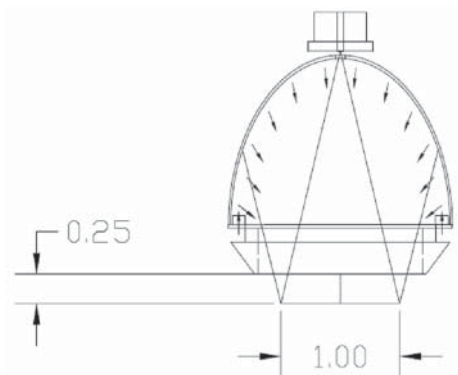
- Automotive
- Electronics
- Aerospace
- Department of Defense suppliers

MOBILE HAWK HANDHELD IMAGER SPECIFICATIONS AND OPTIONS

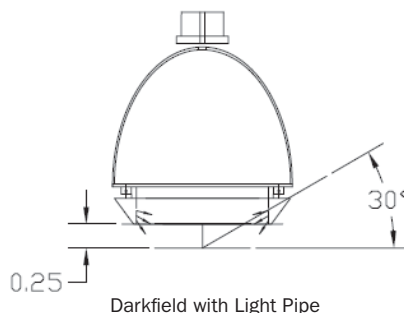
SIDE VIEW



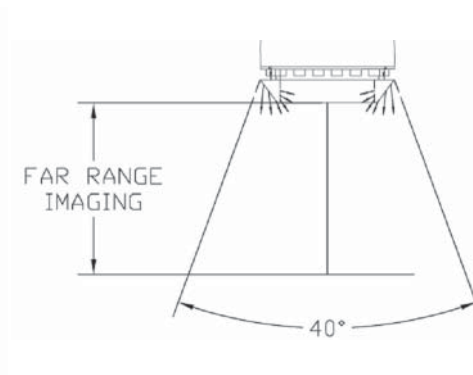
MAXLITE ILLUMINATION



Diffuse Reflective Dome Illumination Method



Darkfield with Light Pipe



Brightfield with Light Pipe

MECHANICAL

Height: 7" (180 mm)
Width: 2.5" (63 mm)
Depth: 4.5" (114 mm)
Weight: 7.2 oz. (204 g), not including cable

ENVIRONMENTAL

Operating Temperature: 0° to 50° C (32° to 122° F)
Storage Temperature: -20° to 65° C (-4° to 150° F)
Humidity: 5% to 95% (non-condensing)
Shock: Withstands multiple drops of 6' (1.8 meters) to concrete

CE STANDARDS

Immunity: EN 55024
ESD: EN 61000-4-2
Radiated RF: EN61000-4-3
Keyed Carrier: ENV50204
EFT: EN 61000-4-4
Conducted RF: EN 61000-4-6
Emissions: EN 55022, Class B Radiated, Class B Conducted

MAXLITE ILLUMINATION

Dome: Blue, Red
Dark-Field: Quadrant

SYMBOLOGIES

2D Symbolologies: Data Matrix, QR Code, Micro QR Code
Stacked Symbolologies: PDF417, GS1 Databar (Composite & Stacked)
Linear Barcodes: Code 39, Code 128, I2 of 5, UPC/EAN, Codabar, Code 93, BC 412

LIGHT COLLECTION OPTIONS

Sensor: CMOS, progressive scan, 1.33 MP, 256 grayscale
Sensor Array: 1280 by 1024

COMMUNICATION PROTOCOLS

Standard Interface: USB, RS-232

READ PARAMETERS

Pitch: ±30° (front to back)
Skew: ±30°
Rotational Tolerance: ±180°
Focal Range: 0 to 2" (0 to 50.8 mm)
Focal Point: Optimal at 0.25" (6.3 mm)
Ambient Light Immunity: Sunlight: Up to 9,000 ft-candles/96,890 lux

INDICATORS

Status Indicators: Vibration motor, audible tones, visual feedback with multi-color LED, blue line targeting pattern

IMAGE OUTPUT OPTIONS

Format: JPEG, Raw (uncompressed)

ELECTRICAL

Power Requirements: 5 VDC (mA)
Typical: 408mA **Peak:** 500mA **Idle:** 285mA

SAFETY CERTIFICATIONS DESIGNED FOR

FCC, CE

ROHS/WEEE COMPLIANT

ISO CERTIFICATION

Certified ISO 9001:2000 Quality Management System

©2009 Microscan Systems, Inc. SP063A 09/09
 Read Range and other performance data is determined using high quality Grade A symbols per ISO/IEC 15415 and ISO/IEC 15416 in a 25° C environment. For application-specific Read Range results, testing should be performed with symbols used in the actual application. Microscan Applications Engineering is available to assist with evaluations. Results may vary depending on symbol quality. **Warranty**—Three year limited warranty on parts and labor. Extended warranty available.

MICROSCAN®

Microscan Systems Inc.
 Tel 425 226 5700 / 800 251 7711
 Fax 425 226 8250

Microscan Europe
 Tel 31 172 423360 / Fax 31 172 423366

Microscan Asia Pacific
 Tel 65 6846 1214 / Fax 65 6846 4641

www.microscan.com

Product Information: info@microscan.com
 Auto ID Support: helpdesk@microscan.com
 Vision Support: visionsupport@microscan.com
 NERLITE Support: nerlitesupport@microscan.com