

# MTE RLW Reactors

Price book

## Table of Contents

<b>TABLE OF CONTENTS</b> .....	<b>1</b>
<b>STANDARD DELIVERY SCHEDULE</b> .....	<b>2</b>
<b>SELECTION &amp; APPLICATION GUIDE</b> .....	<b>3</b>
<b>SPECIFICATION DATA</b> .....	<b>4</b>
SERVICE FACTOR.....	4
AMBIENT TEMPERATURE .....	4
APPROVALS .....	4
ENCLOSURES:.....	4
DIN RAIL MOUNT .....	4
MODEL CODE PART NUMBER CONFIGURATION .....	5
<b>RL REACTOR CROSS TO RLW</b> .....	<b>6</b>
SELECTION GUIDE BY HP AND 208 VOLTS.....	7
SELECTION GUIDE BY HP AND 240 VOLTS.....	8
SELECTION GUIDE BY KW AND 400 VOLTS.....	9
SELECTION GUIDE BY HP AND 480 VOLTS.....	10
SELECTION GUIDE BY HP AND 600 VOLTS.....	11
SELECTION GUIDE BY KW AND 690 VOLTS.....	12
<b>REACTOR LIST PRICES</b> .....	<b>13</b>
<b>FACTORY CONFIGURED OPTION KITS</b> .....	<b>15</b>
KIT-0038 .....	15
KIT-0039 .....	15
KIT-0040 .....	15
<b>MECHANICAL DATA</b> .....	<b>16</b>
OPEN PANEL.....	16
<b>ENCLOSED REACTOR</b> .....	18
<b>REACTOR ELECTRICAL DATA</b> .....	<b>19</b>
<b>OUTLINE DRAWINGS</b> .....	<b>21</b>
FIGURE 1 SNAP BASE MOUNT.....	21
FIGURE 2 35MM DIN MOUNT OPTION .....	21
FIGURE 3 STANDARD MOUNTING.....	21
FIGURE 4 CAB – 8 .....	22
FIGURE 5 CAB 13V.....	22
FIGURE 6 CAB 12C.....	23
<b>NON STANDARD PRODUCT REQUEST</b> .....	<b>24</b>

# MTE RLW Reactors

Price book

## Standard Delivery Schedule

---

### Open Types

Stock - 2 weeks (Quantity 1 – 4)  
1 - 4 weeks (Quantity 5 - 20)  
Consult factory for larger quantities

**0. 5 thru 83 AMP**

### NEMA 1, and 3R

Special order (Quantity 1 – 4)  
Special order (Quantity 5 - 20)

**0. 5 thru 83 AMP**

Consult factory for delivery dates

### Non-Standard product requests

Complete page 18 and Consult factory

# MTE RLW Reactors

Price book

## Selection & Application Guide

The MTE World reactor (RLW) is an international product that is optimized to support global IEC and NEC Drive /motor applications and provides a low cost line side alternative to the present line of MTE “RL” line/ load reactors. RLW's are RMS current rated impedance devices. Selection is based on the choice of inductance correlated to the application motor full load amps, voltage and frequency and the number of phases. Use the selection table based on input voltage and RMS load current to identify corresponding reactor percent impedances. You may also pick from the NEC FLA motor selection table for common voltages. For critical impedance selection based on specific HP or load currents consult MTE applications engineering.

Single phase applications: The RLW like RL reactors may also be sized to protect single phase drives. Please see MTE application **AN0120** for details

***For load side applications reactor current must be de-rated to 70% of the reactors nominal current rating.***

Choose the impedance level:

- 1.5% Minimum impedance for reduction of low level voltage transients.  
RLW reactors may be used as a supplement to already installed reactors.
- 3% Helps minimize (95%) most drive nuisance tripping and faults caused by over voltage and input line disturbances.
- 5% The MTE recommended value to protect drive components from transient over-voltage prevents (99.9%) nuisance trips and offers limited harmonic protection to input line power from drive induced harmonics.

# MTE RLW Reactors

Price book

## Specification Data

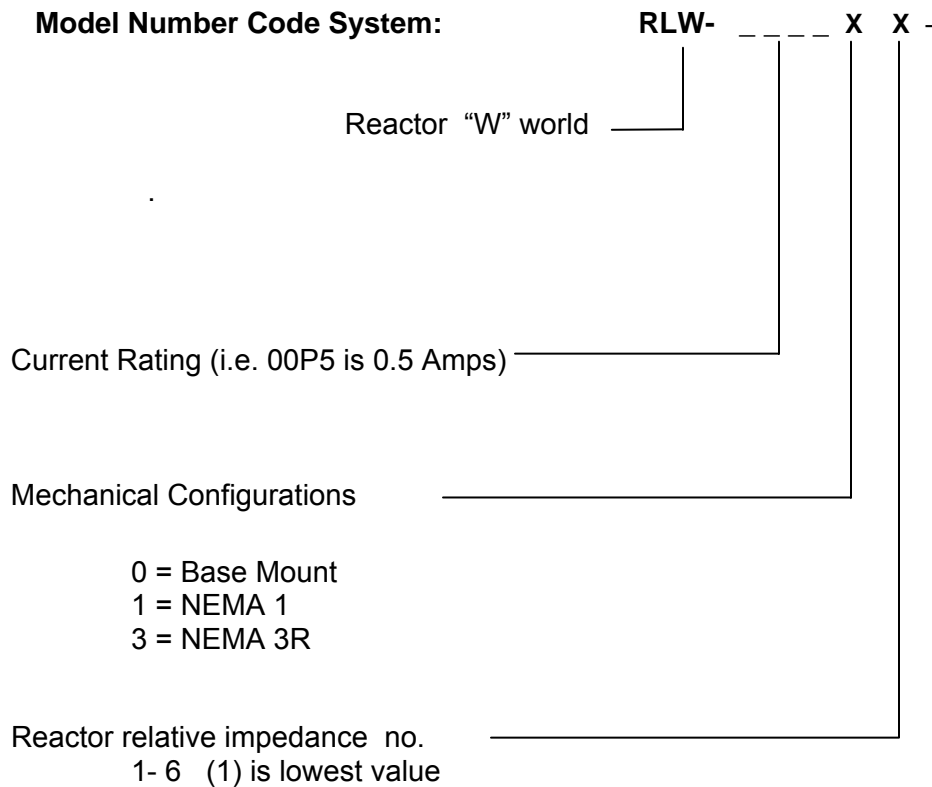
<b>Impedance basis</b>	Calculation: $\% Z = (I/V) \times 2\pi fL \sqrt{3} \times 100$
<b>Service Factor</b> (continuous):	100%
<b>Overload Rating</b> <i>Line side</i>	150% of RMS rating for 1 minute 200% of RMS rating for 10 seconds
<b>Maximum system voltage</b>	690 Volts
<b>Switching frequency</b>	Maximum 20 KHz Minimum 1 KHz
<b>Insulation system</b>	200° C
<b>Temperature rise</b>	140 C (average)
<b>Ambient temperature</b>	Full load: -40 to 50° C Open -40 to 45° C Enclosed -40 to 90° C Storage
<b>Altitude (maximum)</b>	1000 meters
<b>Fundamental frequency</b>	50/60 Hz de-rate above 60 Hz
<b>Inductance tolerance</b>	+/- 10%
<b>Inductance curve (typical)</b>	100% at 100% current 80% at 150% current 50% at 200% current
<b>Dielectric Strength</b>	4000 volts RMS (2200 volts peak repetitive)
<b>Max audible level at two meters:</b>	Line applications: 65 dBa Load applications: 76 dBa
<b>Approvals:</b>	CE, UL-508, Type RL cUL per CSA C22.2
<i>Note: Short circuit rating not required under Exception No.1 of UL508A SB4.2.1 effective 4/25/06</i>	
<b>Enclosures:</b>	MTECab-8, 13V, 17V have NEMA1 Cab 12C and up are NEMA1 rated as NEMA 2 (Indoor rating with ripping water protection) MTE NEMA 3R is a type 3R outdoor rating
<b>DIN Rail Mount:</b>	2 spring steel screw mounts for 35mm rail With 10-32 screws

# MTE RLW Reactors

Price book

## Model Code Part Number Configuration

### Model Number Code System:



### Options:

- KIT 0038 = DIN Rail Mount
- KIT-0039 = RL conversion Plate
- KIT-0040 = Vibration Pads

# MTE RLW Reactors

Price book

## RL Reactor cross to RLW

Amps	RL Part No.	RLW Input PN	RLW Output PN	Amps	RL Part No.	RLW Input PN	RLW Output PN
1	<i>RL-00101</i>	RLW-00P506	RLW-01P606	80	<i>RL-08001</i>	RLW-008301	RLW-013003
	<i>RL-00102</i>	RLW-01P106	RLW-01P606		<i>RL-08002</i>	RLW-008305	RLW-013005
	<i>RL-00103</i>	RLW-01P105	RLW-01P606		<i>RL-08003</i>	RLW-008305	RLW-013005
	<i>RL-00104</i>	RLW-01P103	RLW-01P603		<i>RL-10001</i>	RLW-010401	RLW-016003
2	<i>RL-00201</i>	RLW-02P103	RLW-03P405	100	<i>RL-10002</i>	RLW-010403	RLW-016005
	<i>RL-00202</i>	RLW-02P105	RLW-03P406		<i>RL-10003</i>	RLW-010405	RLW-016005
	<i>RL-00203</i>	RLW-02P106	RLW-03P406	130	<i>RL-13001</i>	RLW-013001	RLW-020003
	<i>RL-00204</i>	RLW-02P101	RLW-03P403		<i>RL-13002</i>	RLW-013003	RLW-020005
4	<i>RL-00401</i>	RLW-04P801	RLW-07P603	160	<i>RL-13003</i>	RLW-013005	RLW-020005
	<i>RL-00402</i>	RLW-04P805	RLW-07P606		<i>RL-16001</i>	RLW-016001	RLW-025003
	<i>RL-00403</i>	RLW-04P806	RLW-07P606		<i>RL-16002</i>	RLW-016003	RLW-025005
	<i>RL-00404</i>	RLW-04P806	RLW-07P606		<i>RL-16003</i>	RLW-016005	RLW-025005
8	<i>RL-00801</i>	RLW-07P601	RLW-001403	200	<i>RL-20001B14</i>	RLW-020001	RLW-033001
	<i>RL-00802</i>	RLW-07P603	RLW-001406		<i>RL-20002B14</i>	RLW-020003	RLW-033005
	<i>RL-00803</i>	RLW-07P605	RLW-001406		<i>RL-20003B14</i>	RLW-020005	RLW-033005
	<i>RL-00804</i>	RLW-07P606	RLW-001406		<i>RL-25001B14</i>	RLW-025001	RLW-042001
12	<i>RL-01201</i>	RLW-001101	RLW-002103	250	<i>RL-25002B14</i>	RLW-025003	RLW-042005
	<i>RL-01202</i>	RLW-001103	RLW-002106		<i>RL-25003B14</i>	RLW-025005	RLW-042005
	<i>RL-01203</i>	RLW-001106	RLW-002106		<i>RL-32001B14</i>	RLW-033001	RLW-050203
18	<i>RL-01801</i>	RLW-001401	RLW-002803	320	<i>RL-32002B14</i>	RLW-033003	RLW-050205
	<i>RL-01802</i>	RLW-001403	RLW-002806		<i>RL-32003B14</i>	RLW-033005	RLW-050205
	<i>RL-01803</i>	RLW-001405	RLW-002806		<i>RL-40001B14</i>	RLW-042001	RLW-060001
25	<i>RL-02501</i>	RLW-002101	RLW-003501	400	<i>RL-40002B14</i>	RLW-042003	RLW-060005
	<i>RL-02502</i>	RLW-002103	RLW-003505		<i>RL-40003B14</i>	RLW-042005	RLW-060005
	<i>RL-02503</i>	RLW-002105	RLW-003505		<i>RL-50001B14</i>	RLW-050201	RLW-075003
35	<i>RL-03501</i>	RLW-003501	RLW-005503	500	<i>RL-50002</i>	RLW-050203	RLW-075005
	<i>RL-03502</i>	RLW-003503	RLW-005505		<i>RL-50003</i>	RLW-050205	RLW-075005
	<i>RL-03503</i>	RLW-003505	RLW-005505		<i>RL-60001</i>	RLW-060001	
45	<i>RL-04501</i>	RLW-004601	RLW-006503	600	<i>RL-60002</i>	RLW-060003	
	<i>RL-04502</i>	RLW-004603	RLW-006505		<i>RL-60003</i>	RLW-060005	
	<i>RL-04503</i>	RLW-004605	RLW-006505		<i>RL-75001</i>	RLW-075001	
55	<i>RL-05501</i>	RLW-005501	RLW-008303	750	<i>RL-75002</i>	RLW-075003	
	<i>RL-05502</i>	RLW-005503	RLW-008305		<i>RL-75003</i>	RLW-075005	
	<i>RL-05503</i>	RLW-005505	RLW-008305				

**Note:**

**1. The RLW was designed to support global IEC and NEC input VFD drive motor applications. To gain optimum performance and size advantages use the RLW selections tables by HP and voltage on the following pages.**

**2. RLW output selection is based on 70% of fundamental RLW current capacity for output load applications!**

**3. Numbers in grey have not been released for sale.**

# MTE RLW Reactors

Price book

Selection Guide by motor and voltage

## Selection Guide by HP and 208 Volts

HP @ 208 V 60Hz	FLA	3% Impedance			5% Impedance		
		Open	NEMA 1	NEMA 3R	Open	NEMA 1	NEMA 3R
0.25	1.4	RLW-01P601	RLW-01P611	RLW-01P631	RLW-02P103	RLW-02P113	RLW-02P133
0.33	1.8	RLW-02P101	RLW-02P111	RLW-02P131	RLW-03P403	RLW-03P413	RLW-03P433
0.5	2.4	RLW-03P401	RLW-03P411	RLW-03P431	RLW-03P403	RLW-03P413	RLW-03P433
0.75	3.5	RLW-07P603	RLW-07P613	RLW-07P633	RLW-04P803	RLW-04P813	RLW-04P833
1	4.6	RLW-04P801	RLW-04P811	RLW-04P831	RLW-07P603	RLW-07P613	RLW-07P633
1.5	6.6	RLW-07P601	RLW-07P611	RLW-07P631	RLW-001103	RLW-001113	RLW-001133
2	7.5	RLW-07P601	RLW-07P611	RLW-07P631	RLW-001103	RLW-001113	RLW-001133
3	10.6	RLW-001101	RLW-001111	RLW-001131	RLW-001403	RLW-001413	RLW-001433
5	16.7	RLW-002101	RLW-002111	RLW-002131	RLW-002803	RLW-002813	RLW-002833
7.5	24.2	RLW-002801	RLW-002811	RLW-002831	RLW-003503	RLW-003513	RLW-003533
10	30.8	RLW-004601	RLW-004611	RLW-004631	RLW-004603	RLW-004613	RLW-004633
15	46.2	RLW-006501	RLW-006511	RLW-006531	RLW-006503	RLW-006513	RLW-006533
20	59.4	RLW-008301	RLW-008311	RLW-008331	RLW-008303	RLW-008313	RLW-008333
25	74.8	RLW-010401	RLW-010411	RLW-010431	RLW-010403	RLW-010413	RLW-010433
30	88.0	RLW-010401	RLW-010411	RLW-010431	RLW-013003	RLW-013013	RLW-013033
40	114.0	RLW-016001	RLW-016011	RLW-016031	RLW-016003	RLW-016013	RLW-016033
50	143.0	RLW-020001	RLW-020011	RLW-020031	RLW-020003	RLW-020013	RLW-020033
60	169.0	RLW-020001	RLW-020011	RLW-020031	RLW-025003	RLW-025013	RLW-025033
75	211.0	RLW-033001	RLW-033011	RLW-033031	RLW-033003	RLW-033013	RLW-033033
100	273.0	RLW-033001	RLW-033011	RLW-033031	RLW-042003	RLW-042013	RLW-042033
125	343.0	RLW-042001	RLW-042011	RLW-042031	RLW-050203	RLW-050213	RLW-050233
150	396.0	RLW-050201	RLW-050211	RLW-050231	RLW-042001	RLW-042011	RLW-042031
200	528.0	RLW-060001	RLW-060011	RLW-060031	RLW-075003	RLW-075013	RLW-075033
250	687.5	RLW-075001	RLW-075011	RLW-075031	RLW-075003	RLW-075013	RLW-075033

**Numbers in grey have not been released for sale.**

# MTE RLW Reactors

Price book

## Selection Guide by HP and 240 Volts

HP @ 240 V 60Hz	FLA	3% Impedance			5% Impedance		
		Open	NEMA 1	NEMA 3R	Open	NEMA 1	NEMA 3R
<b>0.25</b>	1.3	RLW-01P601	RLW-01P611	RLW-01P631	RLW-01P603	RLW-01P613	RLW-01P633
<b>0.33</b>	1.7	RLW-03P403	RLW-03P413	RLW-03P433	RLW-02P103	RLW-02P113	RLW-02P133
<b>0.5</b>	2.2	RLW-04P803	RLW-04P813	RLW-04P833	RLW-04P805	RLW-04P815	RLW-04P835
<b>0.75</b>	3.2	RLW-03P401	RLW-03P411	RLW-03P431	RLW-04P803	RLW-04P813	RLW-04P833
<b>1</b>	4.2	RLW-04P801	RLW-04P811	RLW-04P831	RLW-04P803	RLW-04P813	RLW-04P833
<b>1.5</b>	6.0	RLW-001103	RLW-001113	RLW-001133	RLW-07P603	RLW-07P613	RLW-07P633
<b>2</b>	6.8	RLW-07P601	RLW-07P611	RLW-07P631	RLW-07P603	RLW-07P613	RLW-07P633
<b>3</b>	9.6	RLW-001101	RLW-001111	RLW-001131	RLW-001103	RLW-001113	RLW-001133
<b>5</b>	15.2	RLW-002803	RLW-002813	RLW-002833	RLW-002103	RLW-002113	RLW-002133
<b>7.5</b>	22.0	RLW-002801	RLW-002811	RLW-002831	RLW-002803	RLW-002813	RLW-002833
<b>10</b>	28.0	RLW-002801	RLW-002811	RLW-002831	RLW-003503	RLW-003513	RLW-003533
<b>15</b>	42.0	RLW-005501	RLW-005511	RLW-005531	RLW-005503	RLW-005513	RLW-005533
<b>20</b>	54.0	RLW-006501	RLW-006511	RLW-006531	RLW-006503	RLW-006513	RLW-006533
<b>25</b>	68.0	RLW-008301	RLW-008311	RLW-008331	RLW-008303	RLW-008313	RLW-008333
<b>30</b>	80.0	RLW-008301	RLW-008311	RLW-008331	RLW-010403	RLW-010413	RLW-010433
<b>40</b>	104.0	RLW-010401	RLW-010411	RLW-010431	RLW-013003	RLW-013013	RLW-013033
<b>50</b>	130.0	RLW-016001	RLW-016011	RLW-016031	RLW-016003	RLW-016013	RLW-016033
<b>60</b>	154.0	RLW-016001	RLW-016011	RLW-016031	RLW-020003	RLW-020013	RLW-020033
<b>75</b>	192.0	RLW-020001	RLW-020011	RLW-020031	RLW-025003	RLW-025013	RLW-025033
<b>100</b>	248.0	RLW-033001	RLW-033011	RLW-033031	RLW-033003	RLW-033013	RLW-033033
<b>125</b>	312.0	RLW-033001	RLW-033011	RLW-033031	RLW-042003	RLW-042013	RLW-042033
<b>150</b>	360.0	RLW-042001	RLW-042011	RLW-042031	RLW-050203	RLW-050213	RLW-050233
<b>200</b>	480.0	RLW-050201	RLW-050211	RLW-050231	RLW-060003	RLW-060013	RLW-060033
<b>250</b>	600.0	RLW-060001	RLW-060011	RLW-060031	RLW-075003	RLW-075013	RLW-075033
<b>300</b>	720.0	RLW-075001	RLW-075011	RLW-075031	RLW-075003	RLW-075013	RLW-075033

**Numbers in grey have not been released for sale.**



# MTE RLW Reactors

Price book

## Selection Guide by KW and 400 Volts

KW @ 400V 50Hz	FLA	3% Impedance			5% Impedance		
		Open	NEMA 1	NEMA 3R	Open	NEMA 1	NEMA 3R
0.18	0.6	RLW-01P106	RLW-01P116	RLW-01P136	RLW-0P7506	RLW-0P7516	RLW-0P7536
0.25	0.7	RLW-01P105	RLW-01P115	RLW-01P135	RLW-0P7505	RLW-0P7515	RLW-0P7535
0.37	1.2	RLW-02P105	RLW-02P115	RLW-02P135	RLW-01P606	RLW-01P616	RLW-01P636
0.55	1.6	RLW-01P603	RLW-01P613	RLW-01P633	RLW-01P605	RLW-01P615	RLW-01P635
0.75	1.9	RLW-02P103	RLW-02P113	RLW-02P133	RLW-02P105	RLW-02P115	RLW-02P135
1.1	2.5	RLW-04P805	RLW-04P815	RLW-04P835	RLW-03P406	RLW-03P416	RLW-03P436
1.5	3.4	RLW-03P403	RLW-03P413	RLW-03P433	RLW-03P405	RLW-03P415	RLW-03P435
2.2	4.9	RLW-07P605	RLW-07P615	RLW-07P635	RLW-07P606	RLW-07P616	RLW-07P636
3.7	8.2	RLW-001103	RLW-001113	RLW-001133	RLW-001106	RLW-001116	RLW-001136
5.5	11.2	RLW-001403	RLW-001413	RLW-001433	RLW-001406	RLW-001416	RLW-001436
7.5	15.0	RLW-002105	RLW-002115	RLW-002135	RLW-002106	RLW-002116	RLW-002136
11	21.8	RLW-002803	RLW-002813	RLW-002833	RLW-002806	RLW-002816	RLW-002836
15	29.1	RLW-003503	RLW-003513	RLW-003533	RLW-003505	RLW-003515	RLW-003535
18.5	34.9	RLW-003503	RLW-003513	RLW-003533	RLW-004605	RLW-004615	RLW-004635
22	41.7	RLW-004603	RLW-004613	RLW-004633	RLW-004605	RLW-004615	RLW-004635
30	56.3	RLW-006503	RLW-006513	RLW-006533	RLW-006505	RLW-006515	RLW-006535
37.5	69.8	RLW-008303	RLW-008313	RLW-008333	RLW-008305	RLW-008315	RLW-008335
45	82.5	RLW-008303	RLW-008313	RLW-008333	RLW-008305	RLW-008315	RLW-008335
55	100.9	RLW-010403	RLW-010413	RLW-010433	RLW-010405	RLW-010415	RLW-010435
75	137.7	RLW-016003	RLW-016013	RLW-016033	RLW-016005	RLW-016015	RLW-016035
93	163.9	RLW-025005	RLW-025015	RLW-025035	RLW-020005	RLW-020015	RLW-020035
112	197.9	RLW-020003	RLW-020013	RLW-020033	RLW-020005	RLW-020015	RLW-020035
150	269.7	RLW-033003	RLW-033013	RLW-033033	RLW-033005	RLW-033015	RLW-033035
187	322.0	RLW-033003	RLW-033013	RLW-033033	RLW-042005	RLW-042015	RLW-042035
225	376.4	RLW-042003	RLW-042013	RLW-042033	RLW-042005	RLW-042015	RLW-042035
262	449.1	RLW-050203	RLW-050213	RLW-050233	RLW-050205	RLW-050215	RLW-050235
300	582.0	RLW-060003	RLW-060013	RLW-060033	RLW-060005	RLW-060015	RLW-060035
375	727.5	RLW-075003	RLW-075013	RLW-075033	RLW-075005	RLW-075015	RLW-075035

**Numbers in grey have not been released for sale.**

# MTE RLW Reactors

Price book

## Selection Guide by HP and 480 Volts

HP @ 480V 60Hz	FLA	3% Impedance			5% Impedance		
		Open	NEMA 1	NEMA 3R	Open	NEMA 1	NEMA 3R
<b>0.25</b>	0.7	RLW-01P105	RLW-01P115	RLW-01P135	RLW-0P7506	RLW-0P7516	RLW-0P7536
<b>0.33</b>	0.8	RLW-01P606	RLW-01P616	RLW-01P636	RLW-01P106	RLW-01P116	RLW-01P136
<b>0.5</b>	1.1	RLW-01P103	RLW-01P113	RLW-01P133	RLW-01P105	RLW-01P115	RLW-01P135
<b>0.75</b>	1.6	RLW-01P603	RLW-01P613	RLW-01P633	RLW-01P605	RLW-01P615	RLW-01P635
<b>1</b>	2.1	RLW-02P103	RLW-02P113	RLW-02P133	RLW-02P105	RLW-02P115	RLW-02P135
<b>1.5</b>	3.0	RLW-04P805	RLW-04P815	RLW-04P835	RLW-03P405	RLW-03P415	RLW-03P435
<b>2</b>	3.4	RLW-03P403	RLW-03P413	RLW-03P433	RLW-03P405	RLW-03P415	RLW-03P435
<b>3</b>	4.8	RLW-04P803	RLW-04P813	RLW-04P833	RLW-04P805	RLW-04P815	RLW-04P835
<b>5</b>	7.6	RLW-07P603	RLW-07P613	RLW-07P633	RLW-07P605	RLW-07P615	RLW-07P635
<b>7.5</b>	11.0	RLW-001103	RLW-001113	RLW-001133	RLW-001105	RLW-001115	RLW-001135
<b>10</b>	14.0	RLW-001403	RLW-001413	RLW-001433	RLW-001405	RLW-001415	RLW-001435
<b>15</b>	21.0	RLW-002103	RLW-002113	RLW-002133	RLW-002105	RLW-002115	RLW-002135
<b>20</b>	27.0	RLW-002803	RLW-002813	RLW-002833	RLW-002805	RLW-002815	RLW-002835
<b>25</b>	34.0	RLW-003503	RLW-003513	RLW-003533	RLW-004605	RLW-004615	RLW-004635
<b>30</b>	40.0	RLW-004603	RLW-004613	RLW-004633	RLW-004605	RLW-004615	RLW-004635
<b>40</b>	52.0	RLW-006503	RLW-006513	RLW-006533	RLW-005505	RLW-005515	RLW-005535
<b>50</b>	65.0	RLW-006503	RLW-006513	RLW-006533	RLW-008305	RLW-008315	RLW-008335
<b>60</b>	77.0	RLW-008303	RLW-008313	RLW-008333	RLW-008305	RLW-008315	RLW-008335
<b>75</b>	96.0	RLW-010403	RLW-010413	RLW-010433	RLW-010405	RLW-010415	RLW-010435
<b>100</b>	124.0	RLW-013003	RLW-013013	RLW-013033	RLW-013005	RLW-013015	RLW-013035
<b>125</b>	156.0	RLW-016003	RLW-016013	RLW-016033	RLW-016005	RLW-016015	RLW-016035
<b>150</b>	180.0	RLW-020003	RLW-020013	RLW-020033	RLW-020005	RLW-020015	RLW-020035
<b>200</b>	240.0	RLW-025003	RLW-025013	RLW-025033	RLW-025005	RLW-025015	RLW-025035
<b>250</b>	302.0	RLW-033003	RLW-033013	RLW-033033	RLW-033005	RLW-033015	RLW-033035
<b>300</b>	361.0	RLW-042003	RLW-042013	RLW-042033	RLW-042005	RLW-042015	RLW-042035
<b>350</b>	414.0	RLW-050203	RLW-050213	RLW-050233	RLW-050205	RLW-050215	RLW-050235
<b>400</b>	477.0	RLW-050203	RLW-050213	RLW-050233	RLW-050205	RLW-050215	RLW-050235
<b>450</b>	515.0	RLW-060003	RLW-060013	RLW-060033	RLW-060005	RLW-060015	RLW-060035
<b>500</b>	590.0	RLW-060003	RLW-060013	RLW-060033	RLW-060005	RLW-060015	RLW-060035
<b>600</b>	708.0	RLW-075003	RLW-075013	RLW-075033	RLW-075005	RLW-075015	RLW-075035

**Numbers in grey have not been released for sale.**

# MTE RLW Reactors

Price book

## Selection Guide by HP and 600 Volts

HP @ 600V 60Hz	FLA	3% Impedance			5% Impedance		
		Open	NEMA 1	NEMA 3R	Open	NEMA 1	NEMA 3R
0.25	0.5	RLW-0P7506	RLW-0P7516	RLW-0P7536	RLW-00P506	RLW-00P516	RLW-00P536
0.33	0.7	RLW-01P106	RLW-01P116	RLW-01P136	RLW-0P7506	RLW-0P7516	RLW-0P7536
0.5	0.9	RLW-01P606	RLW-01P616	RLW-01P636	RLW-01P106	RLW-01P116	RLW-01P136
0.75	1.3	RLW-02P106	RLW-02P116	RLW-02P136	RLW-01P606	RLW-01P616	RLW-01P636
1	1.7	RLW-02P105	RLW-02P115	RLW-02P135	RLW-02P106	RLW-02P116	RLW-02P136
1.5	2.4	RLW-03P405	RLW-03P415	RLW-03P435	RLW-03P406	RLW-03P416	RLW-03P436
2	2.7	RLW-04P806	RLW-04P816	RLW-04P836	RLW-03P406	RLW-03P416	RLW-03P436
3	3.9	RLW-04P805	RLW-04P815	RLW-04P835	RLW-04P806	RLW-04P816	RLW-04P836
5	6.1	RLW-07P605	RLW-07P615	RLW-07P635	RLW-07P606	RLW-07P616	RLW-07P636
7.5	9.0	RLW-001105	RLW-001115	RLW-001135	RLW-001106	RLW-001116	RLW-001136
10	11.0	RLW-001405	RLW-001415	RLW-001435	RLW-001406	RLW-001416	RLW-001436
15	17.0	RLW-002105	RLW-002115	RLW-002135	RLW-002106	RLW-002116	RLW-002136
20	22.0	RLW-002805	RLW-002815	RLW-002835	RLW-002806	RLW-002816	RLW-002836
25	27.0	RLW-002803	RLW-002813	RLW-002833	RLW-002806	RLW-002816	RLW-002836
30	32.0	RLW-004605	RLW-004615	RLW-004635	RLW-003505	RLW-003515	RLW-003535
40	41.0	RLW-005505	RLW-005515	RLW-005535	RLW-004605	RLW-004615	RLW-004635
50	52.0	RLW-005503	RLW-005513	RLW-005533	RLW-005505	RLW-005515	RLW-005535
60	62.0	RLW-006503	RLW-006513	RLW-006533	RLW-006505	RLW-006515	RLW-006535
75	77.0	RLW-010405	RLW-010415	RLW-010435	RLW-008305	RLW-008315	RLW-008335
100	99.0	RLW-013005	RLW-013015	RLW-013035	RLW-010405	RLW-010415	RLW-010435
125	125.0	RLW-016005	RLW-016015	RLW-016035	RLW-013005	RLW-013015	RLW-013035
150	144.0	RLW-020005	RLW-020015	RLW-020035	RLW-016005	RLW-016015	RLW-016035
200	192.0	RLW-025005	RLW-025015	RLW-025035	RLW-020005	RLW-020015	RLW-020035
250	242.0	RLW-033005	RLW-033015	RLW-033035	RLW-025005	RLW-025015	RLW-025035
300	289.0	RLW-042005	RLW-042015	RLW-042035	RLW-033005	RLW-033015	RLW-033035
350	336.0	RLW-050205	RLW-050215	RLW-050235	RLW-042005	RLW-042015	RLW-042035
400	382.0	RLW-042003	RLW-042013	RLW-042033	RLW-042005	RLW-042015	RLW-042035
450	412.0	RLW-042003	RLW-042013	RLW-042033	RLW-042005	RLW-042015	RLW-042035
500	472.0	RLW-060005	RLW-060015	RLW-060035	RLW-050205	RLW-050215	RLW-050235
600	576.0	RLW-075005	RLW-075015	RLW-075035	RLW-060005	RLW-060015	RLW-060035
700	672.0	RLW-075005	RLW-075015	RLW-075035	RLW-075005	RLW-075015	RLW-075035

**Numbers in grey have not been released for sale.**

# MTE RLW Reactors

Price book

## Selection Guide by KW and 690 Volts

KW @ 690V 50Hz	FLA	3% Impedance			4% Impedance		
		Open	NEMA 1	NEMA 3R	Open	NEMA 1	NEMA 3R
<b>2.2</b>	2.8	RLW-03P406	RLW-03P416	RLW-03P436	RLW-03P406	RLW-03P416	RLW-03P436
<b>3.7</b>	3.7	RLW-04P806	RLW-04P816	RLW-04P836	RLW-04P806	RLW-04P816	RLW-04P836
<b>5.5</b>	4.8	RLW-04P805	RLW-04P815	RLW-04P835	RLW-04P806	RLW-04P816	RLW-04P836
<b>7.5</b>	6.6	RLW-07P606	RLW-07P616	RLW-07P636	RLW-07P606	RLW-07P616	RLW-07P636
<b>11</b>	8.8	RLW-001106	RLW-001116	RLW-001136	RLW-001106	RLW-001116	RLW-001136
<b>15</b>	12.4	RLW-001406	RLW-001416	RLW-001436	RLW-001406	RLW-001416	RLW-001436
<b>18.5</b>	16.6	RLW-002106	RLW-002116	RLW-002136	RLW-002106	RLW-002116	RLW-002136
<b>22</b>	20.5	RLW-002105	RLW-002115	RLW-002135	RLW-002106	RLW-002116	RLW-002136
<b>30</b>	24.0	RLW-002806	RLW-002816	RLW-002836	RLW-002806	RLW-002816	RLW-002836
<b>37.5</b>	32.0	RLW-003505	RLW-003515	RLW-003535	RLW-003505	RLW-003515	RLW-003535
<b>45</b>	39.0	RLW-004605	RLW-004615	RLW-004635	RLW-004605	RLW-004615	RLW-004635
<b>55</b>	47.0	RLW-005505	RLW-005515	RLW-005535	RLW-005505	RLW-005515	RLW-005535
<b>75</b>	56.0	RLW-006505	RLW-006515	RLW-006535	RLW-006505	RLW-006515	RLW-006535
<b>93</b>	76.0	RLW-008305	RLW-008315	RLW-008335	RLW-008305	RLW-008315	RLW-008335
<b>112</b>	92.0	RLW-010405	RLW-010415	RLW-010435	RLW-010405	RLW-010415	RLW-010435
<b>150</b>	110.0	RLW-013005	RLW-013015	RLW-013035	RLW-013005	RLW-013015	RLW-013035
<b>187</b>	130.0	RLW-013005	RLW-013015	RLW-013035	RLW-013005	RLW-013015	RLW-013035
<b>225</b>	158.0	RLW-016005	RLW-016015	RLW-016035	RLW-016005	RLW-016015	RLW-016035
<b>262</b>	198.0	RLW-020005	RLW-020015	RLW-020035	RLW-020005	RLW-020015	RLW-020035
<b>300</b>	235.0	RLW-025005	RLW-025015	RLW-025035	RLW-025005	RLW-025015	RLW-025035
<b>375</b>	285.0	RLW-033005	RLW-033015	RLW-033035	RLW-033005	RLW-033015	RLW-033035
<b>450</b>	340.0	RLW-042005	RLW-042015	RLW-042035	RLW-042005	RLW-042015	RLW-042035
<b>550</b>	385.0	RLW-042005	RLW-042015	RLW-042035	RLW-042005	RLW-042015	RLW-042035
<b>600</b>	432.0	RLW-050205	RLW-050215	RLW-050235	RLW-050205	RLW-050215	RLW-050235
<b>675</b>	480.0	RLW-050205	RLW-050215	RLW-050235	RLW-050205	RLW-050215	RLW-050235
<b>750</b>	540.0	RLW-060005	RLW-060015	RLW-060035	RLW-060005	RLW-060015	RLW-060035

**Numbers in grey have not been released for sale.**

# MTE RLW Reactors

Price book

## Reactor List Prices

RMS Amps	Open PN		NEMA 1		NEMA 3R	
	Part Number	List Price	Part Number	List Price	Part Number	List Price
0.5	RLW-00P501	\$44	RLW-00P511		RLW-00P531	
	RLW-00P503	\$46	RLW-00P513		RLW-00P533	
	RLW-00P505	\$47	RLW-00P515		RLW-00P535	
	RLW-00P506	\$48	RLW-00P516		RLW-00P536	
0.75	RLW-0P7501	\$46	RLW-0P7511		RLW-0P7531	
	RLW-0P7503	\$48	RLW-0P7513		RLW-0P7533	
	RLW-0P7505	\$49	RLW-0P7515		RLW-0P7535	
	RLW-0P7506	\$50	RLW-0P7516		RLW-0P7536	
1.1	RLW-01P101	\$49	RLW-01P111		RLW-01P131	
	RLW-01P103	\$51	RLW-01P113		RLW-01P133	
	RLW-01P105	\$52	RLW-01P115		RLW-01P135	
	RLW-01P106	\$53	RLW-01P116		RLW-01P136	
1.6	RLW-01P601	\$53	RLW-01P611		RLW-01P631	
	RLW-01P603	\$55	RLW-01P613		RLW-01P633	
	RLW-01P605	\$56	RLW-01P615		RLW-01P635	
	RLW-01P606	\$57	RLW-01P616		RLW-01P636	
2.1	RLW-02P101	\$58	RLW-02P111		RLW-02P131	
	RLW-02P103	\$60	RLW-02P113		RLW-02P133	
	RLW-02P105	\$61	RLW-02P115		RLW-02P135	
	RLW-02P106	\$62	RLW-02P116		RLW-02P136	
3.4	RLW-03P401	\$64	RLW-03P411		RLW-03P431	
	RLW-03P403	\$66	RLW-03P413		RLW-03P433	
	RLW-03P405	\$79	RLW-03P415		RLW-03P435	
	RLW-03P406	\$80	RLW-03P416		RLW-03P436	
4.8	RLW-04P801	\$71	RLW-04P811		RLW-04P831	
	RLW-04P803	\$73	RLW-04P813		RLW-04P833	
	RLW-04P805	\$86	RLW-04P815		RLW-04P835	
	RLW-04P806	\$87	RLW-04P816		RLW-04P836	
7.6	RLW-07P601	\$79	RLW-07P611		RLW-07P631	
	RLW-07P603	\$81	RLW-07P613		RLW-07P633	
	RLW-07P605	\$94	RLW-07P615		RLW-07P635	
	RLW-07P606	\$95	RLW-07P616		RLW-07P636	
11	RLW-001101	\$88	RLW-001111		RLW-001131	
	RLW-001103	\$90	RLW-001113		RLW-001133	
	RLW-001105	\$113	RLW-001115		RLW-001135	
	RLW-001106	\$129	RLW-001116		RLW-001136	
14	RLW-001401	\$108	RLW-001411		RLW-001431	
	RLW-001403	\$110	RLW-001413		RLW-001433	
	RLW-001405	\$133	RLW-001415		RLW-001435	
	RLW-001406	\$149	RLW-001416		RLW-001436	
21	RLW-002101	\$129	RLW-002111		RLW-002131	
	RLW-002103	\$131	RLW-002113		RLW-002133	
	RLW-002105	\$159	RLW-002115		RLW-002135	
	RLW-002106	\$180	RLW-002116		RLW-002136	
28	RLW-002801	\$161	RLW-002811		RLW-002831	
	RLW-002803	\$153	RLW-002813		RLW-002833	
	RLW-002805	\$181	RLW-002815		RLW-002835	
	RLW-002806	\$202	RLW-002816		RLW-002836	

*Numbers in grey have not been released for sale.*

# MTE RLW Reactors

Price book

## Reactor list Price continued

RMS Amps	Open PN		NEMA 1		NEMA 3R	
	Part Number	List Price	Part Number	List Price	Part Number	List Price
35	RLW-003501	\$164	RLW-003511		RLW-003531	
	RLW-003503	\$174	RLW-003513		RLW-003533	
	RLW-003505	\$214	RLW-003515		RLW-003535	
46	RLW-004601	\$196	RLW-004611		RLW-004631	
	RLW-004603	\$208	RLW-004613		RLW-004633	
	RLW-004605	\$243	RLW-004615		RLW-004635	
55	RLW-005501	\$264	RLW-005511		RLW-005531	
	RLW-005503	\$281	RLW-005513		RLW-005533	
	RLW-005505	\$293	RLW-005515		RLW-005535	
65	RLW-006501	\$269	RLW-006511		RLW-006531	
	RLW-006503	\$320	RLW-006513		RLW-006533	
	RLW-006505	\$337	RLW-006515		RLW-006535	
83	RLW-008301	\$285	RLW-008311		RLW-008331	
	RLW-008303	\$346	RLW-008313		RLW-008333	
	RLW-008305	\$397	RLW-008315		RLW-008335	
104	RLW-010401		RLW-010411		RLW-010431	
	RLW-010403		RLW-010413		RLW-010433	
	RLW-010405		RLW-010415		RLW-010435	
130	RLW-013001		RLW-013011		RLW-013031	
	RLW-013003		RLW-013013		RLW-013033	
	RLW-013005		RLW-013015		RLW-013035	
160	RLW-016001		RLW-016011		RLW-016031	
	RLW-016003		RLW-016013		RLW-016033	
	RLW-016005		RLW-016015		RLW-016035	
200	RLW-020001		RLW-020011		RLW-020031	
	RLW-020003		RLW-020013		RLW-020033	
	RLW-020005		RLW-020015		RLW-020035	
200	RLW-025001		RLW-025011		RLW-025031	
	RLW-025003		RLW-025013		RLW-025033	
	RLW-025005		RLW-025015		RLW-025035	
330	RLW-033001		RLW-033011		RLW-033031	
	RLW-033003		RLW-033013		RLW-033033	
	RLW-033005		RLW-033015		RLW-033035	
420	RLW-042001		RLW-042011		RLW-042031	
	RLW-042003		RLW-042013		RLW-042033	
	RLW-042005		RLW-042015		RLW-042035	
502	RLW-050201		RLW-050211		RLW-050231	
	RLW-050203		RLW-050213		RLW-050233	
	RLW-050205		RLW-050215		RLW-050235	
600	RLW-060001		RLW-060011		RLW-060031	
	RLW-060003		RLW-060013		RLW-060033	
	RLW-060005		RLW-060015		RLW-060035	
750	RLW-075001		RLW-075011		RLW-075031	
	RLW-075003		RLW-075013		RLW-075033	
	RLW-075005		RLW-075015		RLW-075035	

**Numbers in grey have not been released for sale.**

# MTE RLW Reactors

Price book

Factory Configured Option Kits

## **KIT-0038**

DIN rail Mount.

A DIN rail mounting option is provided to utilize standard panel mounted DIN rail for securing the reactor via two steel mounting clips.

To incorporate this option into a selected reactor add **KIT-0038** to each selected RLW reactor and add **\$28** DIN clip list price to the list price of the reactor. Clips and hardware are shipped loose.

## **KIT-0039**

RL base mount converter plate.

The base plate adaptor option will allow the RLW to use existing RL bolt hole mounting patterns.

To incorporate this option into a selected reactor add **KIT-0039** to each selected RLW reactor and add **\$38** base mount list price to the list price of the reactor. Base plate hardware is shipped loose.

## **KIT-0040**

Vibration pads for enclosure mounting.

Vibration isolation for enclosed reactors may be fitted with an optional vibration pad to dampen cabinet vibrations from the reactor.

To incorporate this option into a selected reactor add **KIT-0040** to each selected RLW reactor and add **\$51** vibration pads list price to the list price of the reactor. Vibration pads are shipped loose.

**Note: the above listed options may affect product lead times consult the factory for scheduled delivery for these options.**

# MTE RLW Reactors

Price book

## Mechanical Data

### Open Panel

RMS Amps	Open Part Number			Dimension in inches					
	Open PN	Wt	Fig	A width	B Height	C Depth	D	E	F
0.5	RLW-00P501	1.5	1 - 2	4.5	3.7	1.5	0.0	4.0	-
	RLW-00P503	1.5	1 - 2	4.5	3.7	1.5	0.0	4.0	-
	RLW-00P505	1.6	1 - 2	4.5	3.7	1.5	0.0	4.0	-
	RLW-00P506	1.6	1 - 2	4.5	3.7	1.5	0.0	4.0	-
0.75	RLW-0P7501	1.4	1 - 2	4.5	3.7	1.5	0.0	4.0	-
	RLW-0P7503	1.5	1 - 2	4.5	3.7	1.5	0.0	4.0	-
	RLW-0P7505	1.5	1 - 2	4.5	3.7	1.5	0.0	4.0	-
	RLW-0P7506	1.6	1 - 2	4.5	3.7	1.5	0.0	4.0	-
1.1	RLW-01P101	1.5	1 - 2	4.5	3.7	1.5	0.0	4.0	-
	RLW-01P103	1.6	1 - 2	4.5	3.7	1.5	0.0	4.0	-
	RLW-01P105	1.6	1 - 2	4.5	3.7	1.5	0.0	4.0	-
	RLW-01P106	1.7	1 - 2	4.5	3.7	1.5	0.0	4.0	-
1.6	RLW-01P601	1.5	1 - 2	4.5	3.7	1.5	0.0	4.0	-
	RLW-01P603	1.6	1 - 2	4.5	3.7	1.5	0.0	4.0	-
	RLW-01P605	1.6	1 - 2	4.5	3.7	1.5	0.0	4.0	-
	RLW-01P606	1.7	1 - 2	4.5	3.7	1.5	0.0	4.0	-
2.1	RLW-02P101	1.5	1 - 2	4.5	3.7	1.5	0.0	4.0	-
	RLW-02P103	1.6	1 - 2	4.5	3.7	1.5	0.0	4.0	-
	RLW-02P105	1.7	1 - 2	4.5	3.7	1.5	0.0	4.0	-
	RLW-02P106	1.7	1 - 2	4.5	3.7	1.5	0.0	4.0	-
3.4	RLW-03P401	1.6	1 - 2	4.5	3.7	1.5	0.0	4.0	-
	RLW-03P403	1.6	1 - 2	4.5	3.7	1.5	0.0	4.0	-
	RLW-03P405	2.7	3	4.4	5	2.8	2.0	1.4	-
	RLW-03P406	2.8	3	4.4	5	2.8	2.0	1.4	-
4.8	RLW-04P801	1.7	1 - 2	4.5	3.7	1.5	0.0	4.0	-
	RLW-04P803	1.8	1 - 2	4.5	3.7	1.5	0.0	4.0	-
	RLW-04P805	2.8	3	4.4	5	2.8	2.0	1.4	-
	RLW-04P806	4.0	3	4.4	5	3.1	2.1	1.4	-
7.6	RLW-07P601	1.8	1 - 2	4.5	3.7	1.5	0.0	4.0	-
	RLW-07P603	2.8	3	4.4	5	2.8	2.0	1.4	-
	RLW-07P605	4.1	3	4.4	5	3.1	2.1	1.4	-
	RLW-07P606	4.2	3	4.4	5	3.1	2.1	1.4	-
11	RLW-001101	2.7	3	4.4	5	2.8	2.0	1.4	-
	RLW-001103	4.2	3	4.4	5	3.1	2.1	1.4	-
	RLW-001105	5.3	3	4.4	5	3.5	2.6	1.4	-
	RLW-001106	7.1	3	6	5.8	2.9	2.1	2.0	-
14	RLW-001401	2.8	3	4.4	5.3	2.8	2.0	1.4	-
	RLW-001403	4.3	3	4.4	5	3.1	2.1	1.4	-
	RLW-001405	7.1	3	6	5.8	2.9	2.1	2.0	-
	RLW-001406	9.4	3	6	5.8	3.3	2.5	2.0	-
21	RLW-002101	4.2	3	4.4	5.3	3.3	2.4	1.4	-
	RLW-002103	7.2	3	6	6.1	2.9	2.1	2.0	-
	RLW-002105	10.0	3	6	6.1	3.3	2.5	2.0	-
	RLW-002106	13.3	3	7.2	7	3.8	2.3	3.0	-
28	RLW-002801	5.1	3	4.4	5.3	3.5	2.6	1.4	-
	RLW-002803	9.5	3	6	6.1	3.3	2.5	2.0	-
	RLW-002805	10.4	3	6	6.1	3.3	2.3	2.0	-
	RLW-002806	14.3	3	7.2	7	3.8	2.3	3.0	-



# MTE RLW Reactors

Price book

RMS Amps	Open Part Number			Dimension in inches					
	Open PN	Wt	Fig	A width	B Height	C Depth	D	E	F
35	RLW-003501	10	3	6.0	6.0	3.5	2.73	2.0	3.0
	RLW-003503	13	3	7.2	6.0	3.75	2.25	3.0	-
	RLW-003505	18	3	7.2	6.0	4.3	2.75	3.0	-
46	RLW-004601	13	3	7.2	6.0	3.75	2.25	3.0	-
	RLW-004603	17	3	7.2	6.0	4.3	2.75	3.0	-
	RLW-004605	24	3	9	8.3	4.8	3.24	3.0	4.26
55	RLW-005501	18	3	7.2	6.0	4.0	2.75	3.0	-
	RLW-005503	20	3	7.2	6.0	4.25	2.75	3.0	-
	RLW-005505	26	3	9.0	7.0	6.5	3.24	3.0	4.26
65	RLW-006501	18	3	7.2	6.0	4.0	4.25	3.0	-
	RLW-006503	22	3	7.2	6.0	4.25	2.75	3.0	-
	RLW-006505	26	3	9.0	7.0	6.5	3.24	3.0	4.26
83	RLW-008301	19	3	7.2	6.0	4.25	2.75	3.0	-
	RLW-008303	26	3	9.0	7.0	6.5	3.24	3.0	4.26
	RLW-008305	35	3	9.0	7.0	6.75	3.74	3.0	4.26
104	RLW-010401								
	RLW-010403								
	RLW-010405								
130	RLW-013001								
	RLW-013003								
	RLW-013005								
160	RLW-016001								
	RLW-016003								
	RLW-016005								
200	RLW-020001								
	RLW-020003								
	RLW-020005								
200	RLW-025001								
	RLW-025003								
	RLW-025005								
330	RLW-033001								
	RLW-033003								
	RLW-033005								
420	RLW-042001								
	RLW-042003								
	RLW-042005								
502	RLW-050201								
	RLW-050203								
	RLW-050205								
600	RLW-060001								
	RLW-060003								
	RLW-060005								
750	RLW-075001								
	RLW-075003								
	RLW-075005								

**Numbers in grey have not been released for sale.**

# MTE RLW Reactors

Price book

## Mechanical Data continued Enclosed Reactor

RMS Amps	NEMA 1			NEMA 3R		
	Part number	Wt	Fig	Part Number	Wt	Fig
0.5	RLW-00P511	8.5	4	RLW-00P531	76.5	6
	RLW-00P513	8.5	4	RLW-00P533	76.5	6
	RLW-00P515	8.6	4	RLW-00P535	76.6	6
	RLW-00P516	8.6	4	RLW-00P536	76.6	6
0.75	RLW-0P7511	8.4	4	RLW-0P7531	76.4	6
	RLW-0P7513	8.5	4	RLW-0P7533	76.5	6
	RLW-0P7515	8.5	4	RLW-0P7535	76.5	6
	RLW-0P7516	8.6	4	RLW-0P7536	76.6	6
1.1	RLW-01P111	8.5	4	RLW-01P131	76.5	6
	RLW-01P113	8.6	4	RLW-01P133	76.6	6
	RLW-01P115	8.6	4	RLW-01P135	76.6	6
	RLW-01P116	8.7	4	RLW-01P136	76.7	6
1.6	RLW-01P611	8.5	4	RLW-01P631	76.5	6
	RLW-01P613	8.6	4	RLW-01P633	76.6	6
	RLW-01P615	8.6	4	RLW-01P635	76.6	6
	RLW-01P616	8.7	4	RLW-01P636	76.7	6
2.1	RLW-02P111	8.5	4	RLW-02P131	76.5	6
	RLW-02P113	8.6	4	RLW-02P133	76.6	6
	RLW-02P115	8.7	4	RLW-02P135	76.7	6
	RLW-02P116	8.7	4	RLW-02P136	76.7	6
3.4	RLW-03P411	8.6	4	RLW-03P431	76.6	6
	RLW-03P413	8.7	4	RLW-03P433	76.7	6
	RLW-03P415	9.7	4	RLW-03P435	77.7	6
	RLW-03P416	20.8	5	RLW-03P436	77.8	6
4.8	RLW-04P811	8.7	4	RLW-04P831	76.7	6
	RLW-04P813	8.8	4	RLW-04P833	76.8	6
	RLW-04P815	20.7	5	RLW-04P835	77.7	6
	RLW-04P816	22.0	5	RLW-04P836	79.0	6
7.6	RLW-07P611	8.8	4	RLW-07P631	76.8	6
	RLW-07P613	20.7	5	RLW-07P633	77.7	6
	RLW-07P615	22.1	5	RLW-07P635	79.1	6
	RLW-07P616	22.2	5	RLW-07P636	79.2	6
11	RLW-001111	20.7	5	RLW-001131	77.7	6
	RLW-001113	22.2	5	RLW-001133	79.2	6
	RLW-001115	23.2	5	RLW-001135	80.2	6
	RLW-001116	25.1	5	RLW-001136	82.1	6
14	RLW-001411	20.8	5	RLW-001431	77.8	6
	RLW-001413	22.3	5	RLW-001433	79.3	6
	RLW-001415	25.1	5	RLW-001435	82.1	6
	RLW-001416	27.4	5	RLW-001436	84.4	6
21	RLW-002111	22.2	5	RLW-002131	79.2	6
	RLW-002113	25.2	5	RLW-002133	82.2	6
	RLW-002115	28.0	5	RLW-002135	85.0	6
	RLW-002116	31.3	5	RLW-002136	88.3	6
28	RLW-002811	23.1	5	RLW-002831	80.1	6
	RLW-002813	27.5	5	RLW-002833	84.5	6
	RLW-002815	31.7	5	RLW-002835	88.7	6
	RLW-002816	32.3	5	RLW-002836	89.3	6

**Numbers in grey have not been released for sale.**

# MTE RLW Reactors

Price book

## Reactor Electrical Data

RMS Amps	Open PN	NEMA 1	NEMA 3R	Inductance mH	Watts Loss
0.5	RLW-00P501	RLW-00P511	RLW-00P531	22	2.3
	RLW-00P503	RLW-00P513	RLW-00P533	46	3.6
	RLW-00P505	RLW-00P515	RLW-00P535	74	4.8
	RLW-00P506	RLW-00P516	RLW-00P536	92	5.4
0.75	RLW-0P7501	RLW-0P7511	RLW-0P7531	15	4.2
	RLW-0P7503	RLW-0P7513	RLW-0P7533	31	6.6
	RLW-0P7505	RLW-0P7515	RLW-0P7535	49	8.8
	RLW-0P7506	RLW-0P7516	RLW-0P7536	61	10.1
1.1	RLW-01P101	RLW-01P111	RLW-01P131	10	4.8
	RLW-01P103	RLW-01P113	RLW-01P133	21	7.8
	RLW-01P105	RLW-01P115	RLW-01P135	33	10.1
	RLW-01P106	RLW-01P116	RLW-01P136	42	11.9
1.6	RLW-01P601	RLW-01P611	RLW-01P631	6.9	6.9
	RLW-01P603	RLW-01P613	RLW-01P633	14	10.9
	RLW-01P605	RLW-01P615	RLW-01P635	23	15
	RLW-01P606	RLW-01P616	RLW-01P636	29	17.7
2.1	RLW-02P101	RLW-02P111	RLW-02P131	5.3	9
	RLW-02P103	RLW-02P113	RLW-02P133	11	14.3
	RLW-02P105	RLW-02P115	RLW-02P135	18	19.6
	RLW-02P106	RLW-02P116	RLW-02P136	22	22.3
3.4	RLW-03P401	RLW-03P411	RLW-03P431	3.2	12.3
	RLW-03P403	RLW-03P413	RLW-03P433	6.8	19.6
	RLW-03P405	RLW-03P415	RLW-03P435	11	26.5
	RLW-03P406	RLW-03P416	RLW-03P436	14	31.5
4.8	RLW-04P801	RLW-04P811	RLW-04P831	2.3	13.8
	RLW-04P803	RLW-04P813	RLW-04P833	4.8	23
	RLW-04P805	RLW-04P815	RLW-04P835	7.7	37.5
	RLW-04P806	RLW-04P816	RLW-04P836	10	40.1
7.6	RLW-07P601	RLW-07P611	RLW-07P631	1.5	19.2
	RLW-07P603	RLW-07P613	RLW-07P633	3	37.2
	RLW-07P605	RLW-07P615	RLW-07P635	4.8	47.8
	RLW-07P606	RLW-07P616	RLW-07P636	6	53.8
11	RLW-001101	RLW-001111	RLW-001131	1	26.8
	RLW-001103	RLW-001113	RLW-001133	2.1	40.9
	RLW-001105	RLW-001115	RLW-001135	3.3	54.4
	RLW-001106	RLW-001116	RLW-001136	4.3	59.1
14	RLW-001401	RLW-001411	RLW-001431	0.79	32.7
	RLW-001403	RLW-001413	RLW-001433	1.6	48.2
	RLW-001405	RLW-001415	RLW-001435	2.6	60.6
	RLW-001406	RLW-001416	RLW-001436	3.3	66
21	RLW-002101	RLW-002111	RLW-002131	0.53	38.3
	RLW-002103	RLW-002113	RLW-002133	1.1	57.4
	RLW-002105	RLW-002115	RLW-002135	1.8	73.5
	RLW-002106	RLW-002116	RLW-002136	2.2	78
28	RLW-002801	RLW-002811	RLW-002831	0.39	48.2
	RLW-002803	RLW-002813	RLW-002833	0.82	66.8
	RLW-002805	RLW-002815	RLW-002835	1.3	93.8
	RLW-002806	RLW-002816	RLW-002836	1.6	110.6

*Numbers in grey have not been released for sale.*

# MTE RLW Reactors

Price book

Amps	Open PN	NEMA 1	NEMA 3R	Inductance mH	Watts Loss
35	RLW-003501	RLW-003511	RLW-003531	0.35	68
	RLW-003503	RLW-003513	RLW-003533	0.71	102
	RLW-003505	RLW-003515	RLW-003535	1.2	121
46	RLW-004601	RLW-004611	RLW-004631	0.3	77
	RLW-004603	RLW-004613	RLW-004633	0.55	99
	RLW-004605	RLW-004615	RLW-004635	0.98	179
55	RLW-005501	RLW-005511	RLW-005531	0.27	67
	RLW-005503	RLW-005513	RLW-005533	0.48	109
	RLW-005505	RLW-005515	RLW-005535	0.75	149
65	RLW-006501	RLW-006511	RLW-006531	0.19	87
	RLW-006503	RLW-006513	RLW-006533	0.38	105
	RLW-006505	RLW-006515	RLW-006535	0.64	214
83	RLW-008301	RLW-008311	RLW-008331	0.17	119
	RLW-008303	RLW-008313	RLW-008333	0.29	155
	RLW-008305	RLW-008315	RLW-008335	0.51	191
104	RLW-010401	RLW-010411	RLW-010431	0.12	
	RLW-010403	RLW-010413	RLW-010433	0.23	
	RLW-010405	RLW-010415	RLW-010435	0.375	
130	RLW-013001	RLW-013011	RLW-013031	0.095	
	RLW-013003	RLW-013013	RLW-013033	0.18	
	RLW-013005	RLW-013015	RLW-013035	0.3	
160	RLW-016001	RLW-016011	RLW-016031	0.08	
	RLW-016003	RLW-016013	RLW-016033	0.155	
	RLW-016005	RLW-016015	RLW-016035	0.26	
200	RLW-020001	RLW-020011	RLW-020031	0.06	
	RLW-020003	RLW-020013	RLW-020033	0.115	
	RLW-020005	RLW-020015	RLW-020035	0.195	
250	RLW-025001	RLW-025011	RLW-025031	0.05	
	RLW-025003	RLW-025013	RLW-025033	0.095	
	RLW-025005	RLW-025015	RLW-025035	0.155	
330	RLW-033001	RLW-033011	RLW-033031	0.04	
	RLW-033003	RLW-033013	RLW-033033	0.075	
	RLW-033005	RLW-033015	RLW-033035	0.125	
420	RLW-042001	RLW-042011	RLW-042031	0.03	
	RLW-042003	RLW-042013	RLW-042033	0.06	
	RLW-042005	RLW-042015	RLW-042035	0.105	
502	RLW-050201	RLW-050211	RLW-050231	0.025	
	RLW-050203	RLW-050213	RLW-050233	0.05	
	RLW-050205	RLW-050215	RLW-050235	0.085	
600	RLW-060001	RLW-060011	RLW-060031	0.02	
	RLW-060003	RLW-060013	RLW-060033	0.04	
	RLW-060005	RLW-060015	RLW-060035	0.065	
750	RLW-075001	RLW-075011	RLW-075031	0.015	
	RLW-075003	RLW-075013	RLW-075033	0.03	
	RLW-075005	RLW-075015	RLW-075035	0.05	

**Numbers in grey have not been released for sale.**

# MTE RLW Reactors

Price book

## Outline Drawings

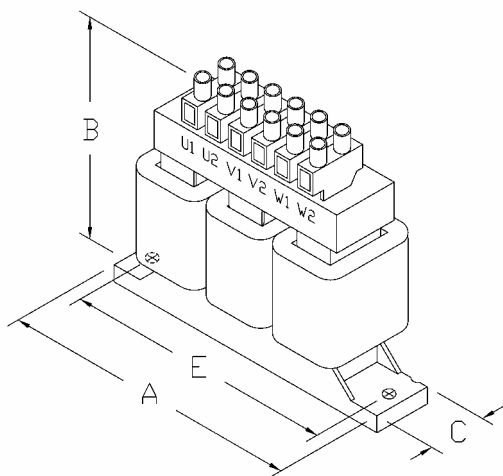


Figure 1 Snap Base Mount

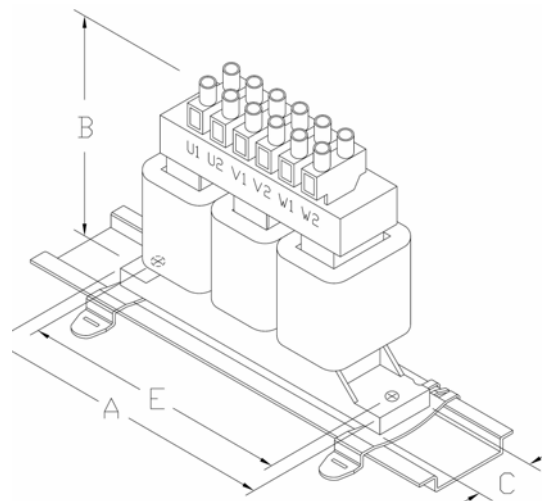


Figure 2 35mm DIN Mount option

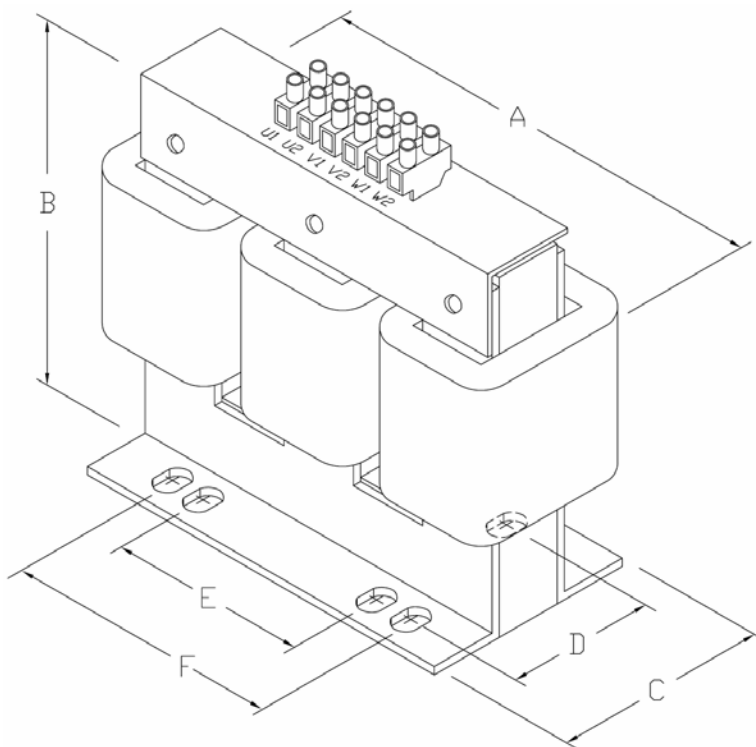


Figure 3 Standard Mounting

# MTE RLW Reactors

Price book

## Outline Drawings

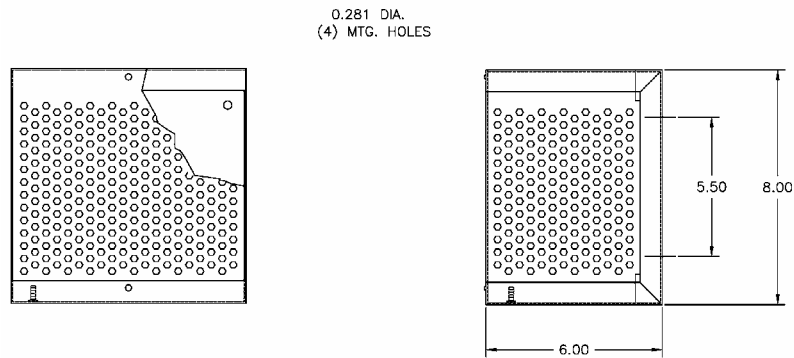
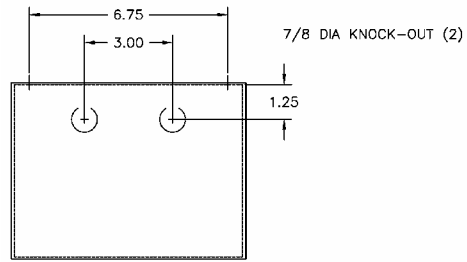


Figure 4 Cab – 8

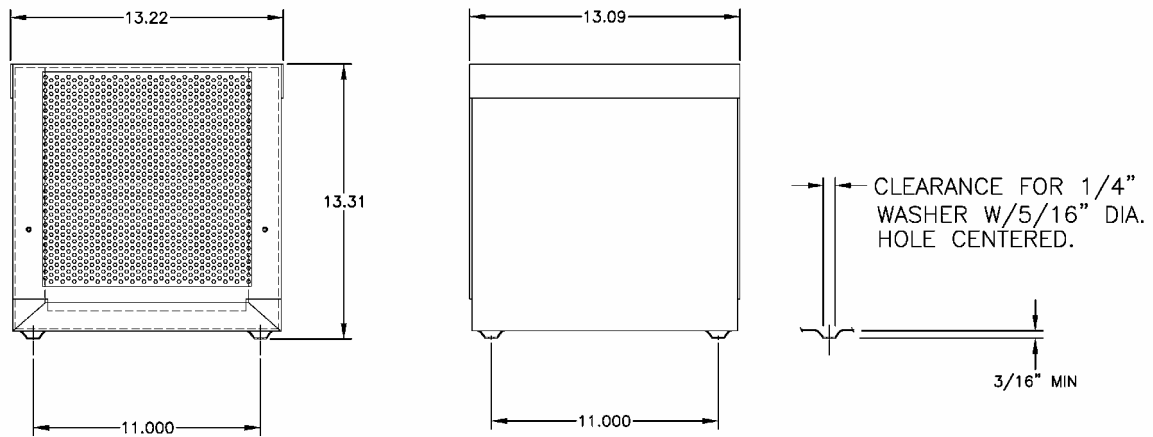


Figure 5 Cab 13V

# MTE RLW Reactors

Price book

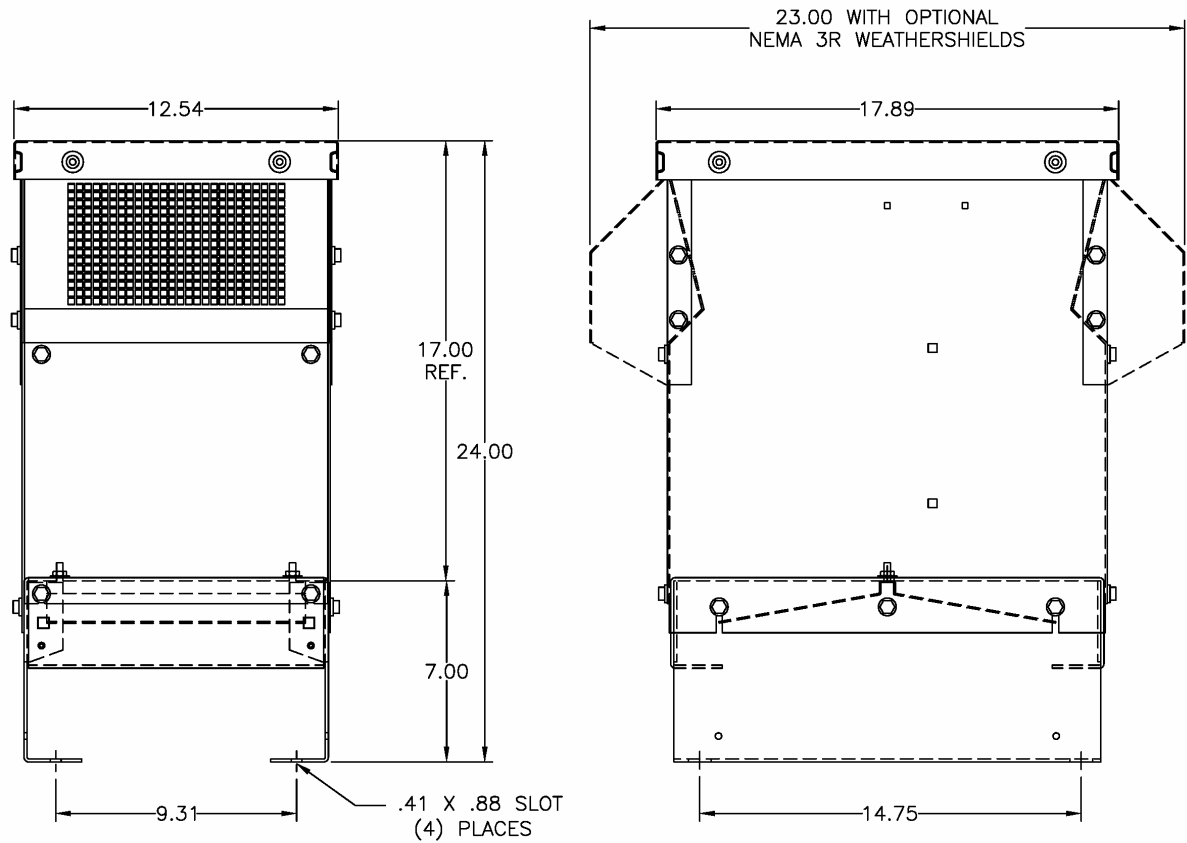


Figure 6 Cab 12C

# MTE RLW Reactors

Price book

## Non Standard Product Request

1. % Impedance \_\_\_\_\_.
2. Application: Line / load / other: \_\_\_\_\_.
3. HP or FLA rating \_\_\_\_\_.
4. Fundamental frequency \_\_\_\_\_.
5. Harmonic content of load current \_\_\_\_\_.
6. Overload current and duration \_\_\_\_\_.
7. Special Reactor tolerance \_\_\_\_\_.
8. Special Enclosure request \_\_\_\_\_.
9. Special product approvals \_\_\_\_\_.
10. Reduced sound level @ two meters \_\_\_\_\_.

Number of units requested \_\_\_\_\_

Target date for product delivery \_\_\_\_\_.



# MTE RLW Reactors

Price book

<b>ISO 7.2.3</b>	<b>AC Line / Load Reactors</b>	<b>PB-1101</b>
Responsibility:	MTE Corporate	
Approved by:	DB Read	
File Location:	P:\Public\Controlled Documents\Sales\Price Book	
<b>Revision</b>	<b>Date</b>	<b>Revision History</b>
---	5/29/09	New document written by Wayne Walcott –